

## Congratulations!

Your new Home Theater System will make watching movies at home more fun than ever. This sheet contains connection instructions for 3 different home theater systems. To connect your speakers to your receiver, follow the instructions for your particular system. To learn how to operate your receiver please read and follow the instruction booklet included in the receiver's box. If you're also connecting other equipment, such as a VCR or CD player, use the receiver's manual in combination with the manuals that came with those components.

## Placing Your Speakers

Place the speakers as shown in the diagram below. While you're setting the speakers up, keep these points in mind:

- If the subwoofer causes discoloration of the TV picture, move it away from the TV until the discoloration disappears.
- Since the center speaker is magnetically shielded, you can place it right on top of the TV without worrying about picture discoloration.
- You can hang the surround speakers on the wall using heavy-duty picture-hangers.
- Placing the subwoofer next to a wall yields more deep bass output than placing it away from a wall. Placing the subwoofer in a corner yields the deepest bass output overall.

## Connecting Your Speakers

**Important: Do not plug the receiver's and subwoofer's power cords into AC outlets until you have properly connected all of the speakers.**

Connect the speakers as shown in the diagram. In each case, connect the colored speaker wire to the red terminals on the speaker and receiver, and connect the black speaker wire to the black terminals on the speaker and receiver.

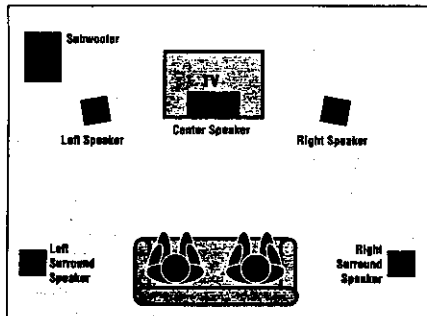
To make connecting the speakers easier, we have color-coded the speaker wire and the terminals on the speakers, and we have pre-stripped the insulation from the ends of the wire.

### Connecting the subwoofer:

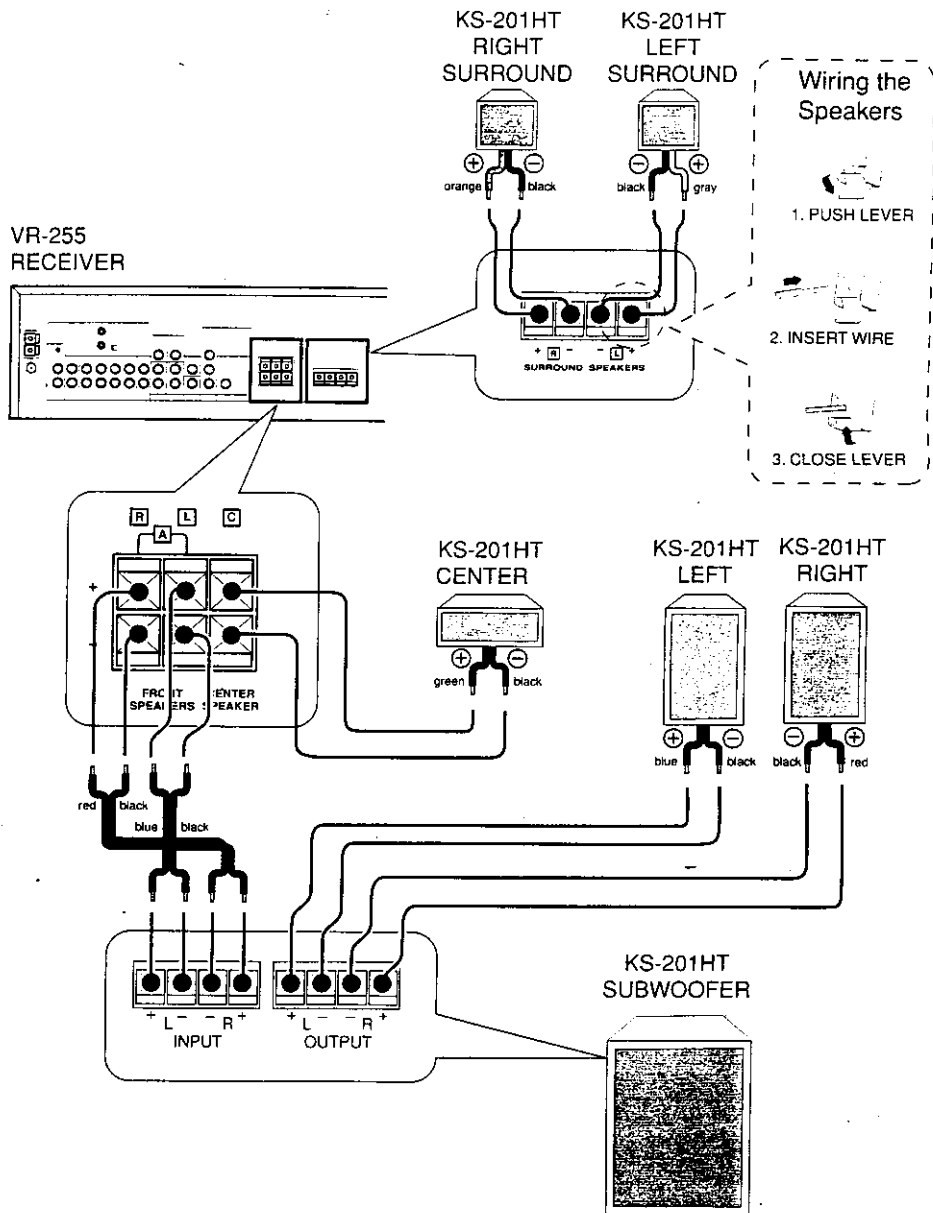
In the HTB-401 and HTB-301 systems, the subwoofer connects to the receiver using the 10-foot black audio cord. Connect one end of the audio cord to the subwoofer's Line Input, and the other end to the receiver's Subwoofer Pre Out connector.

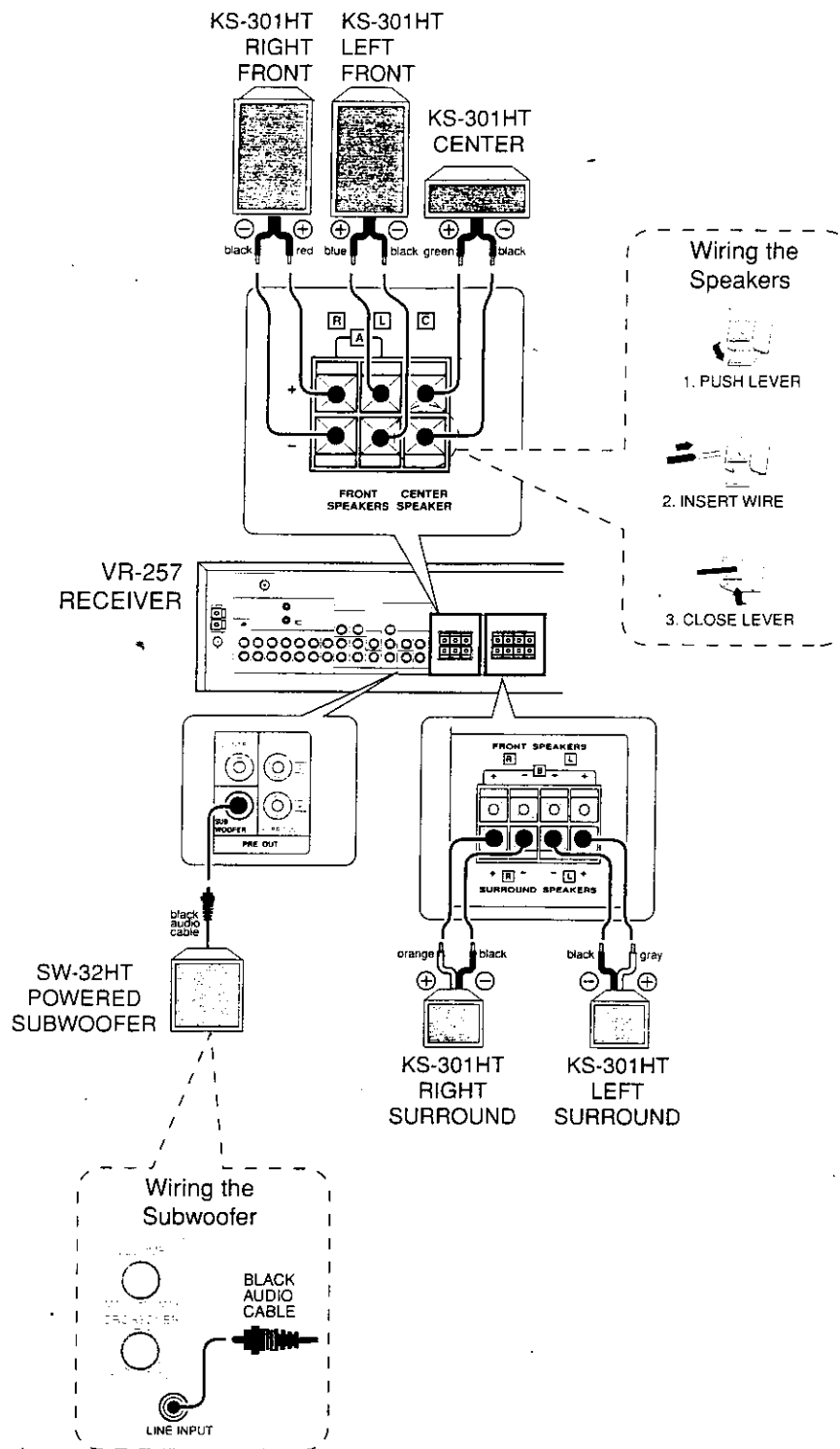
In the HTB-201 system the receiver's left and right Front Speaker Outputs connect to the subwoofer's Inputs, and the left and right speakers themselves connect to the subwoofer's Outputs.

- The subwoofer will sound good just about anywhere in the room
- Place the center speaker above or below the center of your TV. Angle it down or up to aim it directly at the listeners.
- Place the left and right speakers on each side of your TV. Angling them towards the listeners improves the stereo effect.



Place the surround speakers as high as possible, directly to the sides of the listening area, pointing at the listeners





## Using Your Subwoofer

Your SW-32HT subwoofer has several features that make it easy to set-up and use.

### Auto Power On/Off

After you turn the subwoofer's power switch on for the first time the subwoofer's Auto Power On/Off feature will shut the subwoofer off when you're not using it and turn it on again when you use your system. If you will not be using your system for an extended period of time we recommend that you turn the subwoofer's power switch off.

### Crossover Filter

Set the subwoofer's crossover filter switch to the Off position. Your receiver has a built-in crossover for the subwoofer output, and using the subwoofer's crossover in addition to the receiver's crossover can hurt the system's sound quality.

When the subwoofer's crossover filter switch is set to off, the crossover knob has no effect.

### Volume Control

During normal operation you will use the receiver's subwoofer volume control to change the subwoofer volume. (This is much more convenient than having to reach behind the subwoofer to turn its volume knob every time you want to adjust the subwoofer's volume.) See the receiver's owner's manual for instructions on using the receiver's subwoofer volume control.

We recommend that you initially set the subwoofer's volume knob at about the 11 o'clock position. This is just to get you started- you will fine-tune the subwoofer's volume level and the receiver's subwoofer volume level once you begin using your system.

## Congratulations!

Your new Home Theater System will make watching movies at home more fun than ever. This sheet contains connection instructions for 3 different home theater systems. To connect your speakers to your receiver, follow the instructions for your particular system. To learn how to operate your receiver please read and follow the instruction booklet included in the receiver's box. If you're also connecting other equipment, such as a VCR or CD player, use the receiver's manual in combination with the manuals that came with those components.

## Placing Your Speakers

Place the speakers as shown in the diagram below. While you're setting the speakers up, keep these points in mind:

- If the subwoofer causes discoloration of the TV picture, move it away from the TV until the discoloration disappears.
- Since the center speaker is magnetically shielded, you can place it right on top of the TV without worrying about picture discoloration.
- You can hang the surround speakers on the wall using heavy-duty picture-hangers.
- Placing the subwoofer next to a wall yields more deep bass output than placing it away from a wall. Placing the subwoofer in a corner yields the deepest bass output overall.

## Connecting Your Speakers

**Important: Do not plug the receiver's and subwoofer's power cords into AC outlets until you have properly connected all of the speakers.**

Connect the speakers as shown in the diagram. In each case, connect the colored speaker wire to the red terminals on the speaker and receiver, and connect the black speaker wire to the black terminals on the speaker and receiver.

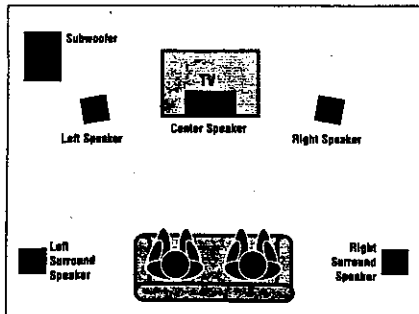
To make connecting the speakers easier, we have color-coded the speaker wire and the terminals on the speakers, and we have pre-stripped the insulation from the ends of the wire.

### Connecting the subwoofer:

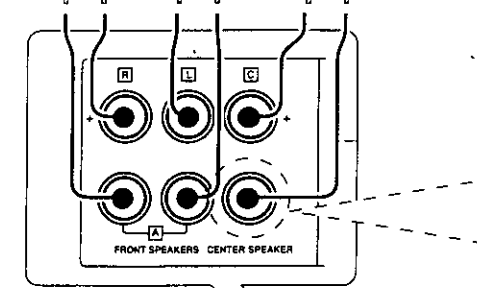
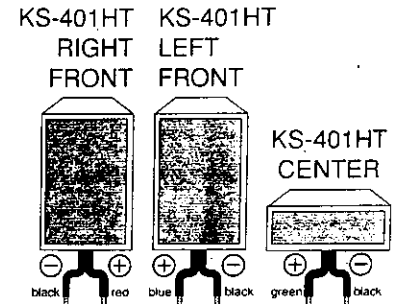
In the HTB-401 and HTB-301 systems, the subwoofer connects to the receiver using the 10-foot black audio cord. Connect one end of the audio cord to the subwoofer's Line Input, and the other end to the receiver's Subwoofer Pre Out connector.

In the HTB-201 system the receiver's left and right Front Speaker Outputs connect to the subwoofer's Inputs, and the left and right speakers themselves connect to the subwoofer's Outputs.

- The subwoofer will sound good just about anywhere in the room
- Place the center speaker above or below the center of your TV. Angle it down or up to aim it directly at the listeners.
- Place the left and right speakers on each side of your TV. Angling them towards the listeners improves the stereo effect.

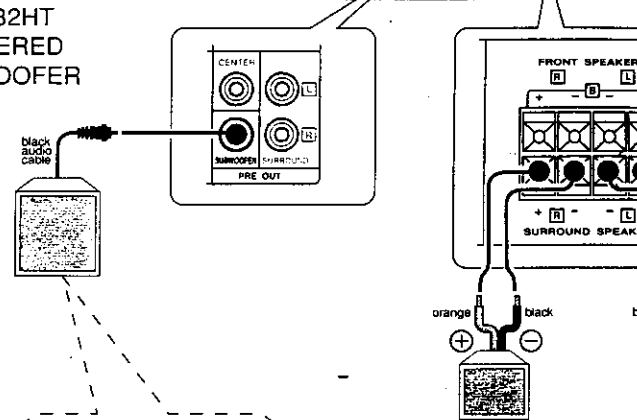


Place the surround speakers as high as possible, directly to the sides of the listening area, pointing at the listeners

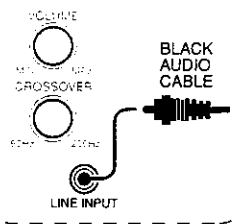


VR-208 RECEIVER

SW-32HT POWERED SUBWOOFER



Wiring the Subwoofer



## Using Your Subwoofer

Your SW-32HT subwoofer has several features that make it easy to set-up and use.

### Auto Power On/Off

After you turn the subwoofer's power switch on for the first time the subwoofer's Auto Power On/Off feature will shut the subwoofer off when you're not using it and turn it on again when you use your system. If you will not be using your system for an extended period of time we recommend that you turn the subwoofer's power switch off.

### Crossover Filter

Set the subwoofer's crossover filter switch to the Off position. Your receiver has a built-in crossover for the subwoofer output, and using the subwoofer's crossover in addition to the receiver's crossover can hurt the system's sound quality.


When the subwoofer's crossover filter switch is set to off, the crossover knob has no effect.

### Volume Control

During normal operation you will use the receiver's subwoofer volume control to change the subwoofer volume. (This is much more convenient than having to reach behind the subwoofer to turn its volume knob every time you want to adjust the subwoofer's volume.) See the receiver's owner's manual for instructions on using the receiver's subwoofer volume control.

We recommend that you initially set the subwoofer's volume knob at about the 11 o'clock position. This is just to get you started- you will fine-tune the subwoofer's volume level and the receiver's subwoofer volume level once you begin using your system.

### Wiring the Front Speakers

- 
1. LOOSEN CONNECTOR.
  2. INSERT WIRE
  3. TIGHTEN CONNECTOR

### Wiring the Surround Speakers

- 
1. PUSH LEVER
  2. INSERT WIRE
  3. CLOSE LEVER



SW-32HT  
LEFT  
SURROUND